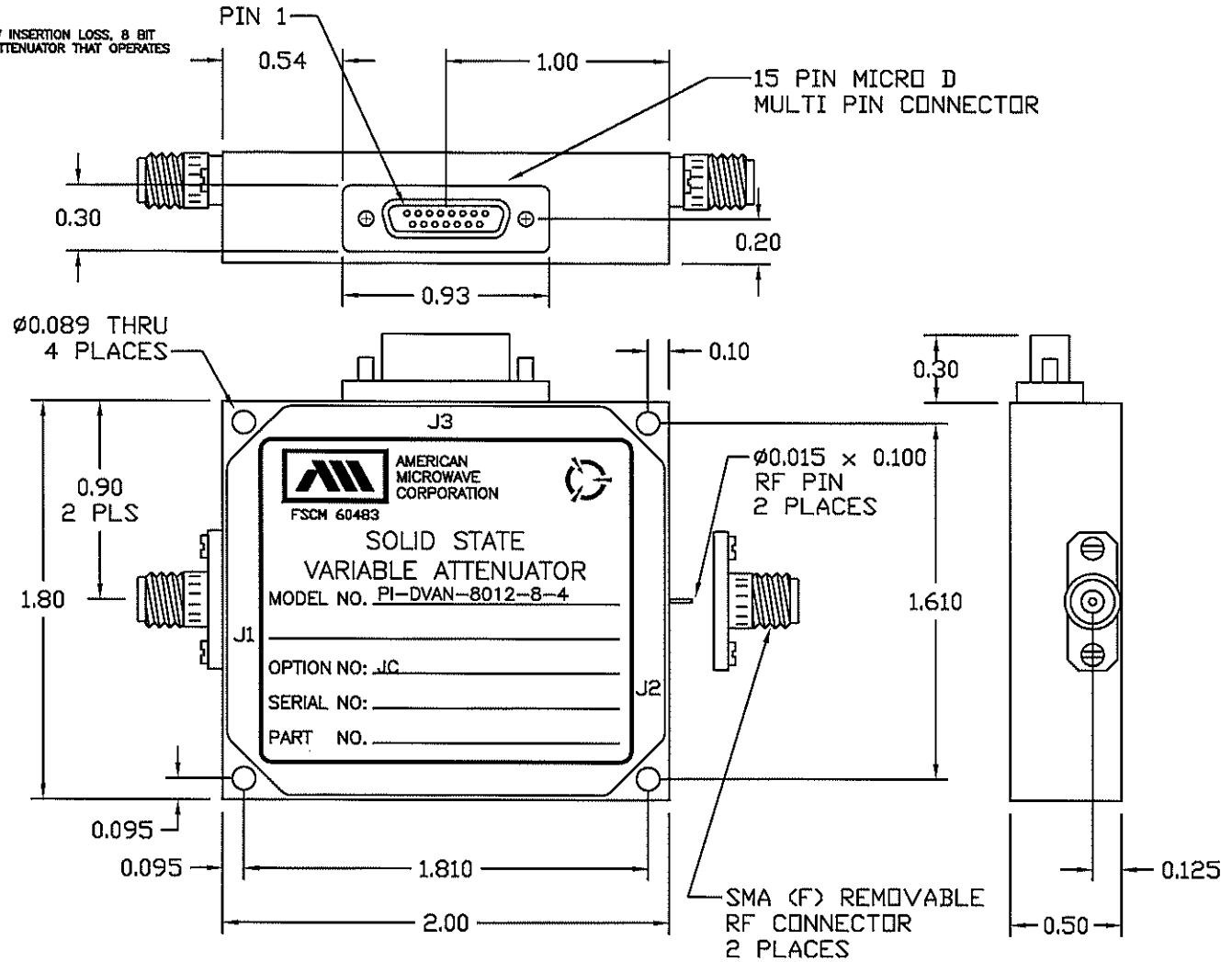



DESCRIPTION:

AMC MODEL PI-DVAN-8012-8-4 IS A HIGH SPEED, LOW INSERTION LOSS, 8 BIT DIGITALLY VARIABLE 60 dB, SOLID STATE OCTAVE BAND ATTENUATOR THAT OPERATES OVER THE 8 GHz TO 12 GHz RANGE.



CONFIDENTIAL AND PROPRIETARY

 AMERICAN MICROWAVE CORPORATION FREDERICK, MARYLAND			
TITLE OUTLINE DRAWING PI-DVAN-8012-8-4 SOLID STATE ATTENUATOR			
SIZE	FSCM NO.	DWG NO.	REV.
A	60483	100-5736	--
SCALE N/S			SHEET 2 of 3

